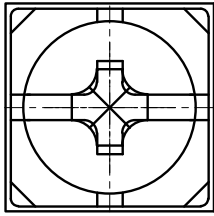
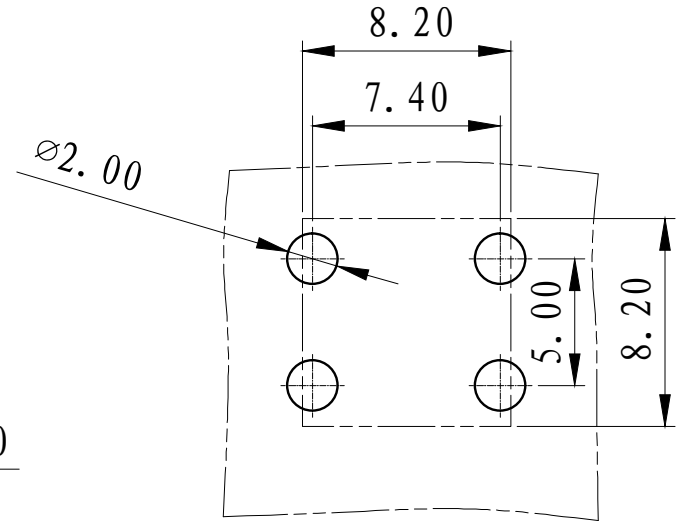
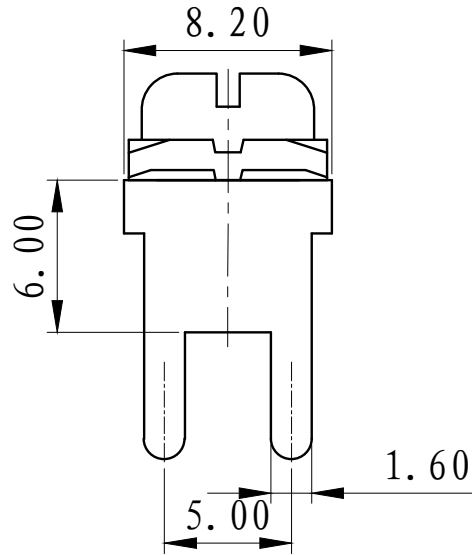
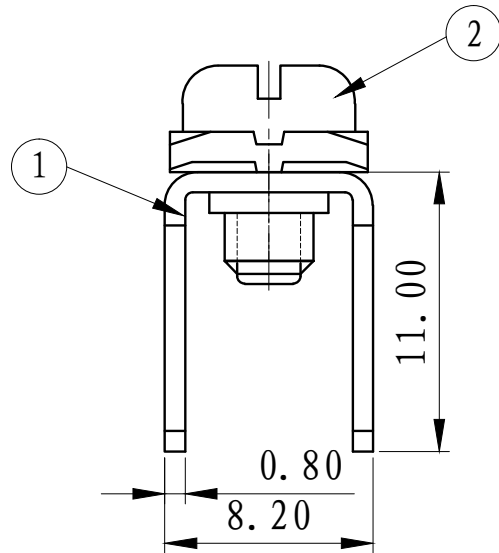


REVISION RECORD			
REV.	CONTENT	MOD.	DATE
△	初版发行		



技术要求:

1. 螺钉孔类型/扭力: M3.5/0.8 N.m以上
2. 适用线规: 24~10AWG
3. 额定电流: 40A



	pitch dimension			Nominal dimension					—
	over 0	over 6	over 10	over 0	over 30	over 60	over 100	over 150	
variable range	to 6	to 10	to 24	to 30	to 60	to 100	to 150		
Tolerance	±0.1	±0.15	±0.25	±0.2	±0.3	±0.5	±0.7	±1.0	0.05/10

2	M3.5*6-7.5*7.5		1	碳钢	镀镍
1	E5.0*8.2*11.0/4*M3.5	7003T0001AV	1	黄铜	镀雾锡
NO.	NAME OF PART	NO. OF PART	Q'TY	MATERIAL	NOTES
DES.	ZMF	DATE	2019/04/11	UNITS	mm
CHK.		DATE		SIZE	A4
APP.		DATE		SCALE	1:1
				DWG NO.	SP-2-7003001
				REV:	T0
上海有乐电气有限公司 Shanghai YouLe Electric CO.,LTD				TITLE	E5.0*8.2*11.0/4*M3.5/6*7.5-100-00A
					E5.0*8.2*11.0/4*M3.5/6*7.5-产品